

RigDim 120V Power Cabinet

Date: _____
Type: _____
Firm: _____
Name: _____
Project: _____

The Vari-Lite RigDim Power Cabinet is a configurable 120V theatrical power cabinet, offering high-performance dimming and architectural power control for entertainment venues. RigDim offers up to 24 circuits of power, with 3 auxiliary circuits available for the 120V models. Integrators can select up to 6 power modules, combining IGBT dimming, 0-10V architectural dimming, and relay-controlled power in a wall-mounted, convection-cooled cabinet with a 10,000 SCCR fault current rating.

Choose up to (6) power modules to install in your RigDim cabinet:

- 4 circuit IGBT Dimming modules
- 2 circuit IGBT Dimming module
- 4 circuit 0-10V modules
- 4 circuit Relay modules

RigDim offers multiple connectivity and control options, including sACN, Art-Net, Vision.Net, and DMX. It supports contact closure for UL924 applications and offers an optional main breaker. To make things easy to commission and manage, the system includes local controls for setup and testing.



- Theatrical power rack with up to 24 circuits for 120V applications - high-performance dimming and architectural power control for entertainment venues
- 3 auxiliary circuits - Additional power where you need it.
- IGBT dimming, 0-10V dimming, and relay power control options - meet the needs of your installation.
- Broad connectivity and control options including Ethernet (sACN, Art-Net, Vision.Net), RS485 (Vision.Net, DMX), and Contact Closure (UL924) - connect where and how you need it
- Optional main breaker (60A, 100A, 150A) - all-in-one breaker and power control
- Local controls for set up and testing - simply configuration and testing right from RigDim
- Convection cooled - fanless for quiet operation in near-stage installations



VARI*LITE

Specifications

Due to continuous improvements and innovations, specifications may change without notice.

Electrical

Power Source	Mains Fed
Supply Voltage	120 VAC
Input Current	150A MAX
Load rating/channel	20A
Modules	Up to 6
Number of Circuits	Up to 24
Aux Circuits	3
Min Dimmer Load	0.5W
Max Dimmer Load	Full rating of Dimmer

Data

DMX Input	1x 5 pin Phoenix
DMX Thru	1x 5 pin Phoenix
Vision.Net	1x 9 pin Phoenix
Link (to additional units)	1x 8 pin Phoenix
Panic	2x 3 pin Phoenix
Ethernet	1x RJ45

Connectivity

Protocols	DMX512
	Vision.net
	sACN
	Art-Net
	ShowNet

Installation

Mounting	Wall Mount
Mounting Holes	4 x 1/4" bolts, 725.96 (28.58") x 825.5 (32.5")

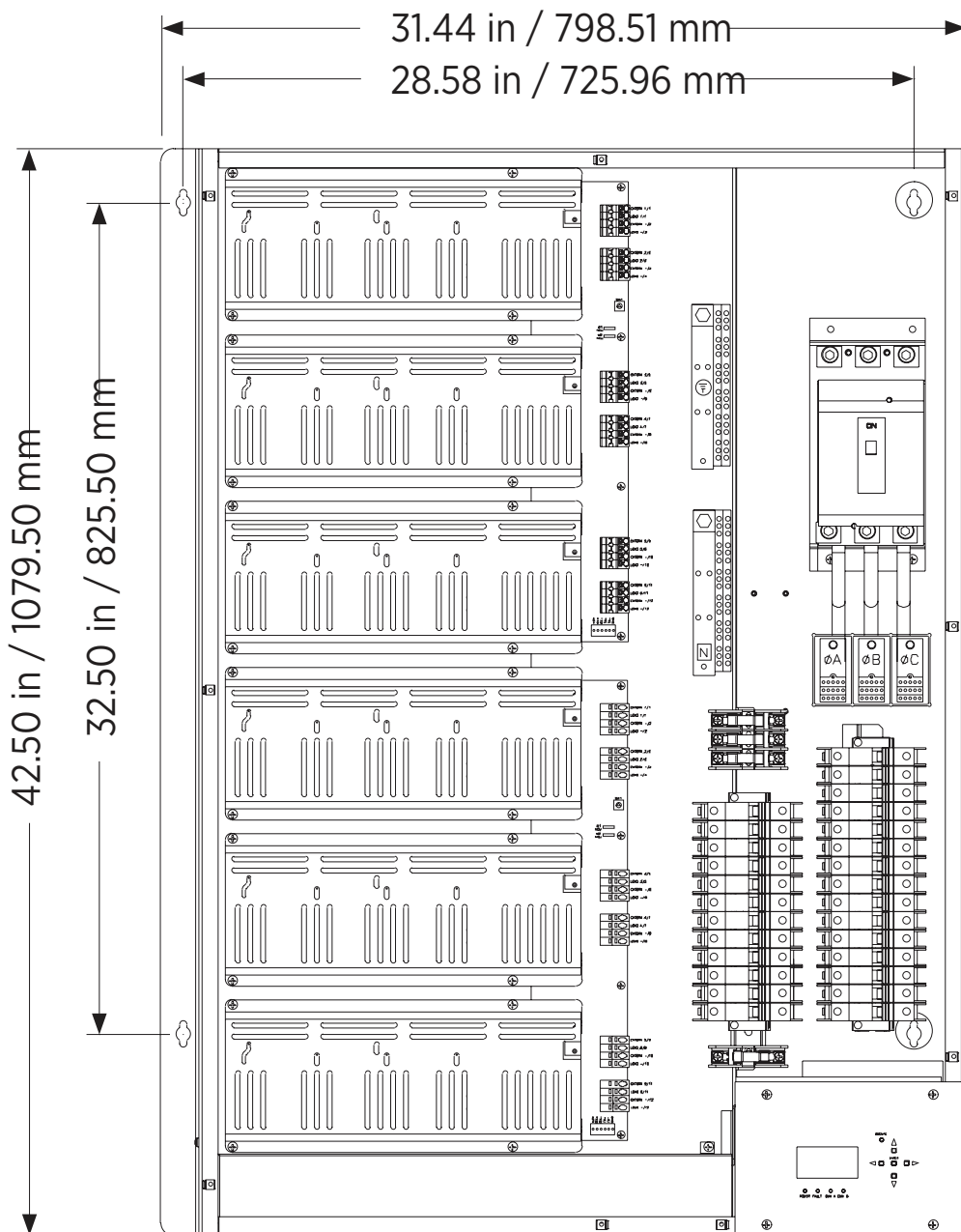
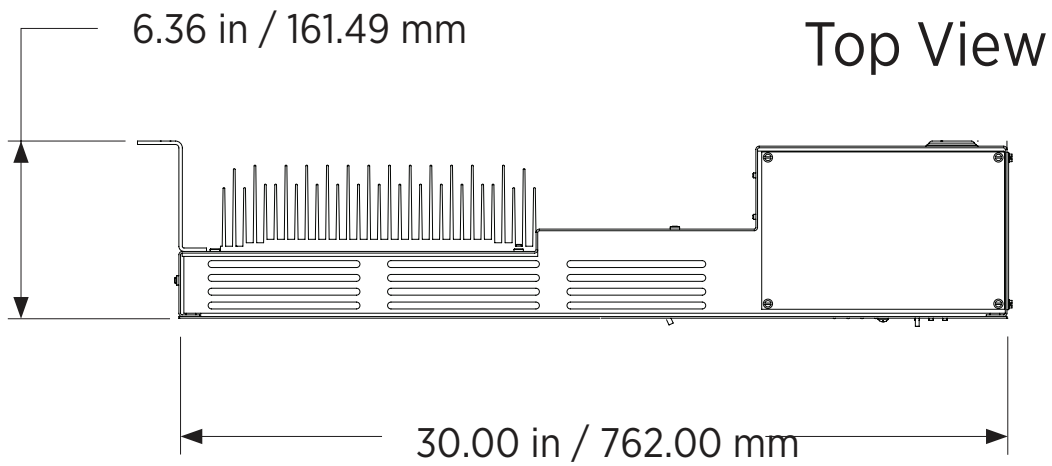
Certification and Safety

Ingress protection rating	IP 20
Approbations	cETLus, CE, UKCA
Conformity	UL508, UL924

Physical

Construction	Galvanized G90 Steel
Housing Color	Black
Dimensions (H x W x D)	1079.5 (42.5") x 798.51 (31.44") x 161.49 (6.36")
Weight	59.3 kg (130.4lb)
Operating Temperature	0 - 40°C (32 - 104°F)
Cooling System	Convection
Humidity	5-90% non-condensing

Dimensions



Product and Accessories

When ordering, include everything required from below for each enclosure.

Enclosures	Order Code
6 module (24ch) RigDim 120V enclosure (incl. UL924)	53805-111
6 module (24ch) RigDim 120V enclosure (incl. UL924 & 60A Main Breaker)	53805-112
6 module (24ch) RigDim 120V enclosure (incl. UL924 & 100A Main Breaker)	53805-113
6 module (24ch) RigDim 120V enclosure (incl. UL924 & 150A Main Breaker)	53805-114

Modules	Order Code
Quad 20A Relay RigDim 120V module	53805-132
Quad 10A IGBT (1000µs) RigDim 120V module	53805-133
Dual 20A IGBT (1000µs) RigDim 120V module	53805-134
Quad 20A 0-10V RigDim 120V module	53805-136

Processor	Order Code
Spare RigDim processor	53805-021

Accessories	Order Code
Blank RigDim module	53805-041
RigDim 120V retrofit harness kit, 20A, Black	53805-142
RigDim 120V retrofit harness kit, 20A, Red	53805-143
RigDim 120V retrofit harness kit, 20A, Blue	53805-144
24ch RigDim (120V or 277V) UL924 Kit	53805-924

